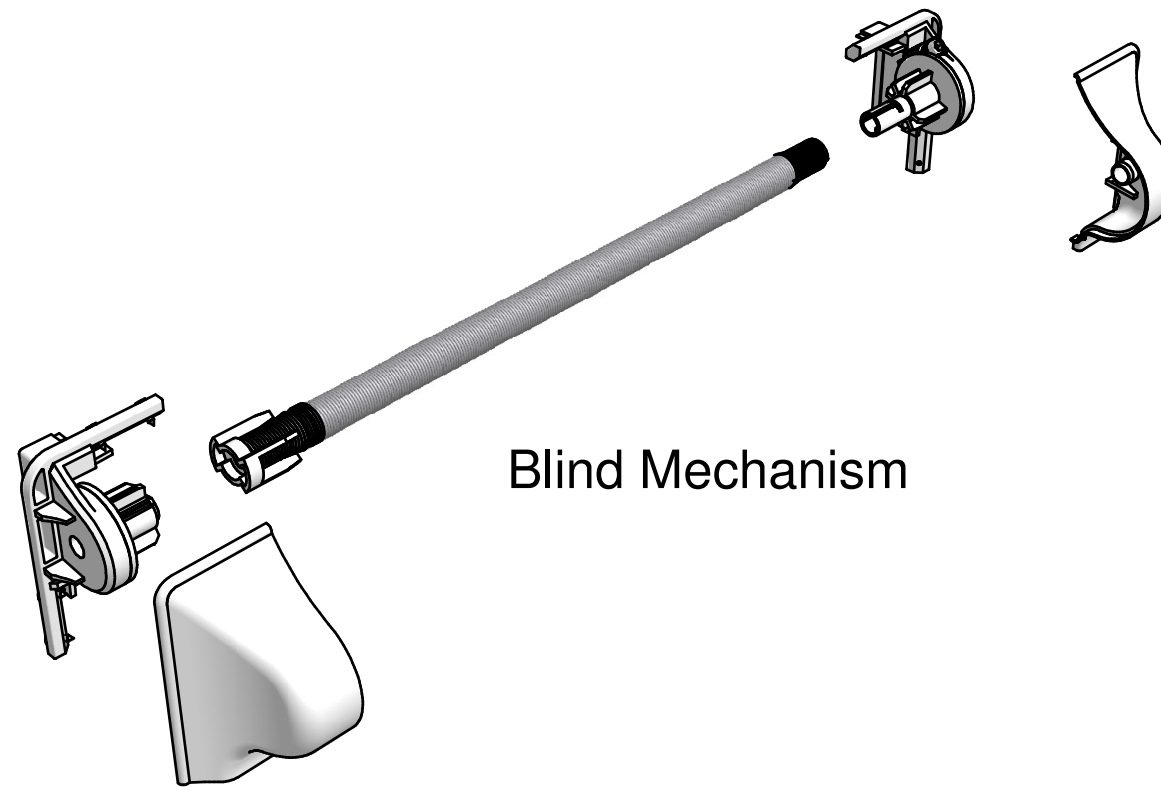
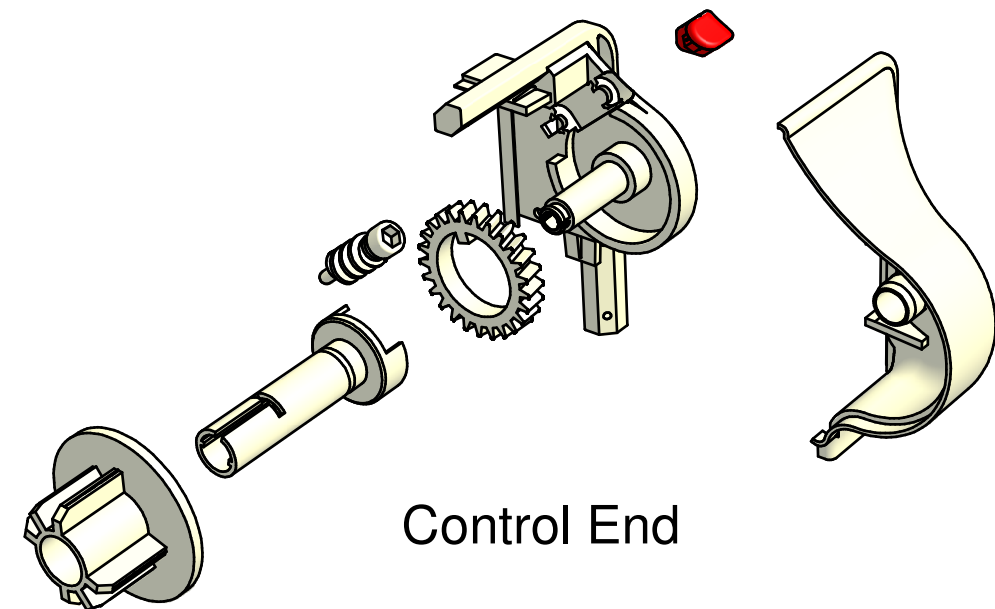


Assembled Window Blind



Blind Mechanism



Control End



LOUVOLITE  
Ashton Road, Hyde  
Cheshire, SK14 4BG, England.  
Tel: 0161-882-5000  
Fax: 0161-882-5009

Perfect Fit Rollerblind System