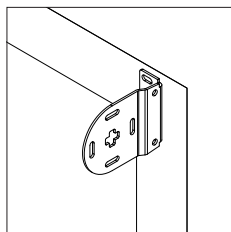


ROLLER SYSTEM FREE LINK

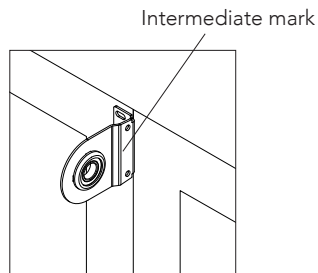
Fitting & Operating Instructions

Using two control & two blinds

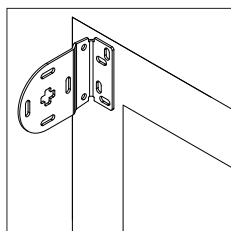
FITTING THE BRACKETS



1. Starting at the control end side, place and secure a control end bracket at the measurement taken.



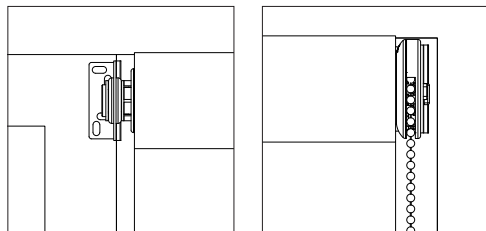
2. Place an intermediate bracket at the intermediate point 2mm less than the size taken, ensuring the central face of the intermediate bracket lines up accordingly.



3. Fit control end bracket at the left hand side.

FITTING THE BRACKETS

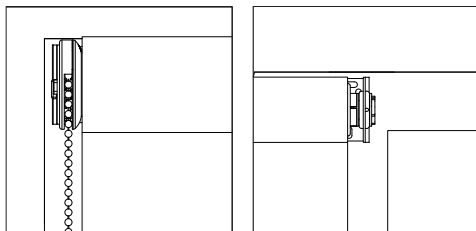
Right hand blind



Insert the coupling plunger through the intermediate bracket.

Locate, insert and secure control end.

Left hand blind



Left hand blind - fix the same way as right hand blind. Locate, insert and secure control end.

Insert the coupling plunger through the intermediate bracket.

OPERATING THE BLIND

For a conventional roller blind, in order to lower the blind, pull the rearmost length of chain downwards with a smooth and steady pressure. To roll the blind up do the same on the front length of chain.

For a reverse roll blind the opposite is true, to lower use the front chain and to raise, use the rear chain.

NOTE TO INSTALLER:

Please ensure a general child safety warning tag is fitted on the product.

CHILD SAFETY

Unless your blind is motorised has a safety wand or is crank operated your blind will be supplied with either Easybreak® connectors attached to the operating chain, or a cord tidy that will need to be fitted to the wall.

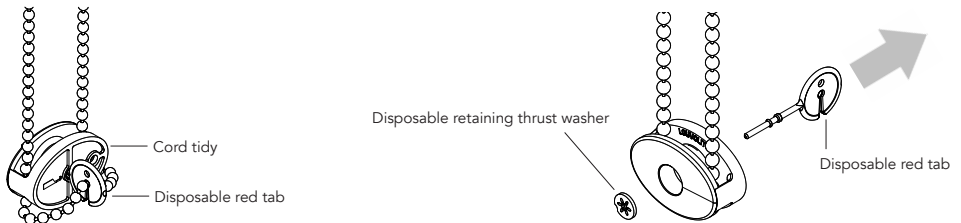
TENSIONED SYSTEM USING CORD TIDY

If the blind is fitted with a continuous loop chain then a cord tidy will be attached to the chain. This must be fitted to the wall as shown.

FITTING A SIDE FIX CORD TIDY

The cord tidy is a two piece device and will arrive with a disposable red tab fitted to it.

Remove the disposable red tab by disengaging it from the chain and then pull out the disposable red tab.

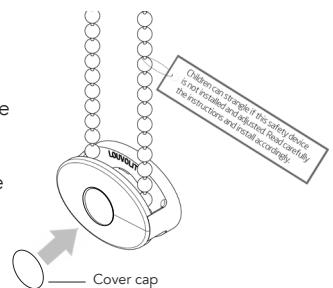


Position the cord tidy to the wall at the furthest distance below the roller tube adding appropriate tension to the chain and mark its location.

Split the cord tidy and mark the remaining offset hole position before drilling and plugging both location holes if necessary.

Screw into the offset hole to fix the back piece of the cord tidy to the wall. Re-assemble the cord tidy with the chain and fix it in previously marked position with a screw through the centre hole.

Push fit a cover cap over the screw hole opening.



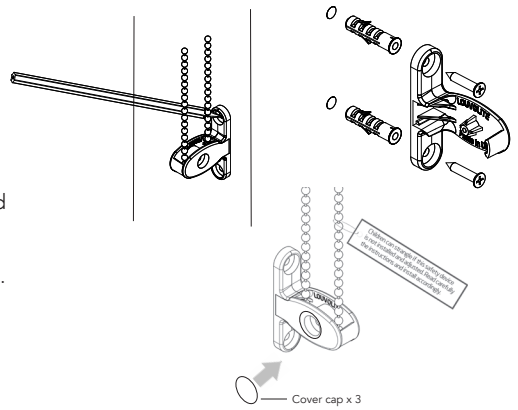
FITTING A FACE FIX CORD TIDY

Position the face fix cord tidy to the wall at the furthest distance below the headrail adding appropriate tension to the chain and mark its location.

Mark the remaining hole position before drilling and plugging both location holes if necessary.

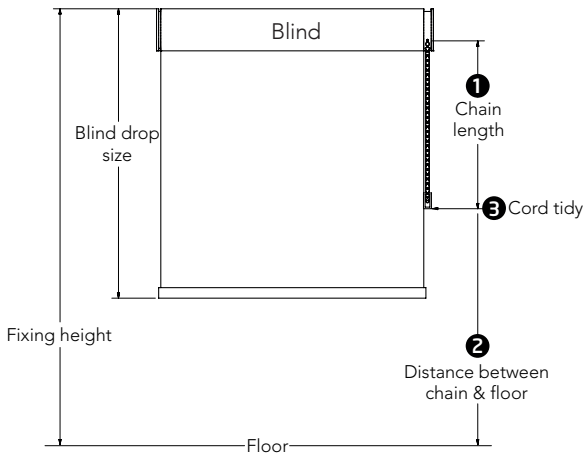
Attach the cord cover plate with the screw provided.

Push fit a cover cap over the screw hole opening.



CHILD SAFETY - BS EN 13120 GUIDELINES FOR CORDED BLINDS

Tensioned System with Cord Tidy



- | | |
|----------|---------------------------------------------------------------------------------------------------------------------------------------------------------------------------------------------------------------------------------------------------------------------------------------------------------|
| 1 | <p>If fixing height is unknown</p> <ul style="list-style-type: none"> - Blind drop \leq 2.5 metres, the chain length must be \leq 1 metre. - Blind drop $>$ 2.5 metres, the chain length must be drop of blind minus 1.5 metres. |
| 2 | <p>If fixing height known</p> <p>All blind drop sizes, distance between floor and bottom of chain must be greater than 1.5 metres.</p> |
| 3 | <p>Cord tidy</p> <p>Affix a cord tidy to the wall at the maximum distance possible from the blind control mechanism ensuring all operating cords are taut (chain no more than 50mm apart at entry/exit of cord tidy).</p> |

