

BLOCKOUT SYSTEM

System 32®/ 40® & 45®

Fitting Instructions

FIXING THE CASSETTE

Inside The Recess

Top fix the correct number of brackets across the window frame and position in line with each other, fix your cassette into the brackets.

The side and base frame should be positioned 10mm from the back of the

brackets or in line with the back face of the cassette (Fig. 8).

Fig. 8

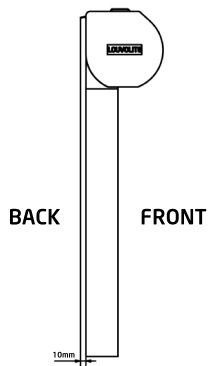


Fig. 9

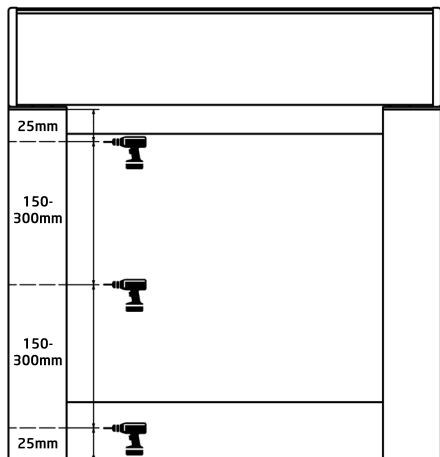
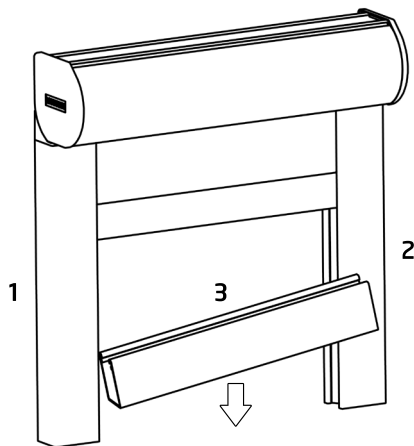


Fig. 10



The frame has no pre drilled holes we recommend you put one 25mm from the top and bottom then 150 to 300mm apart into the side of the frame dependent on the variable fixing surface (Fig. 9).

FIXING THE CASSETTE

Fix both sides of the frame first then the base (Fig. 10).

Fig. 11

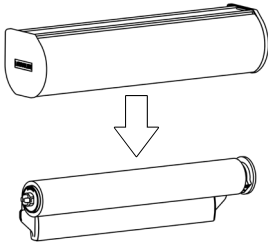
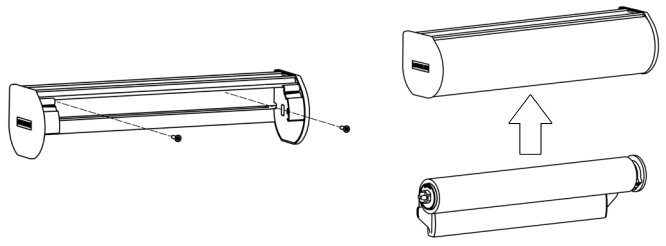


Fig. 12



FRONT FIXING THE CASSETTE

Inside The Recess

Remove the blind from the cassette and direct fix by screwing through the back of the cassette to the wall/window frame (Fig. 11).

Replace the blind and cassette (Fig. 12).

Fig. 13

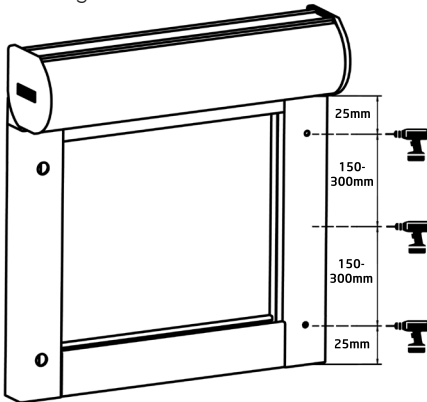
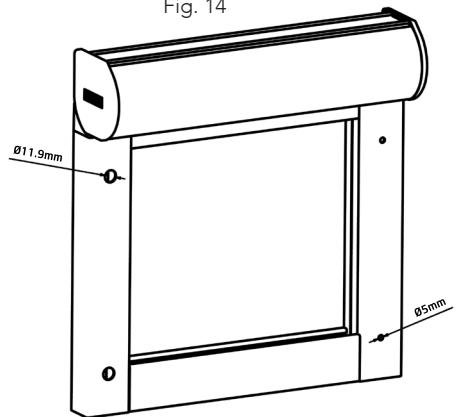


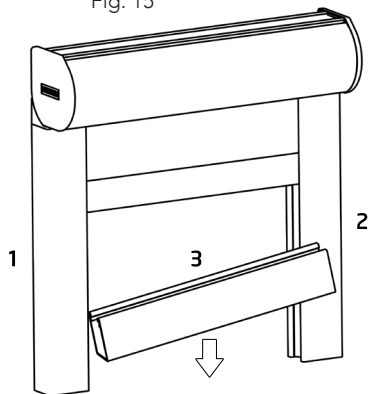
Fig. 14



The frame has no pre drilled holes we recommend you put one 25mm from each end, then 150 to 300mm apart dependant on the variable fixing surface (Fig. 13).

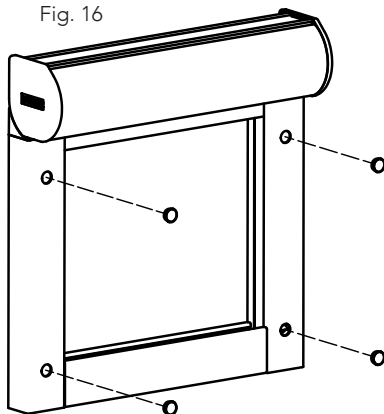
Using a 5mm drill go through the face and back of the side channel then use a 11.9mm drill through the front only (Fig. 14).

Fig. 15



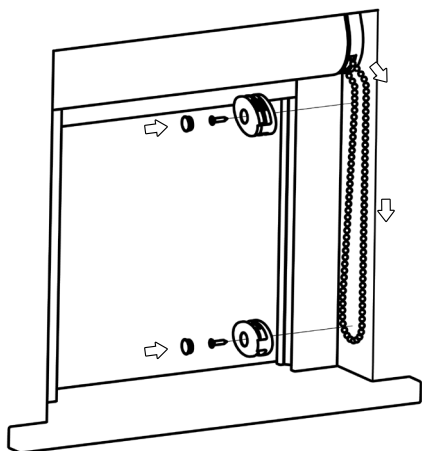
Fix both sides of the frame first then the base (Fig. 15).

Fig. 16



Use a white covering button to cover the holes on the outer frame (Fig. 16).

Fig.17



Fix the top double cord tidy with 2 screws at the appropriate angle (so that the chain will not interfere with the side channel) (Fig. 17).

Fig. 18

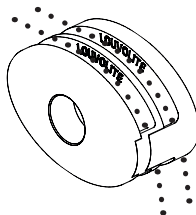
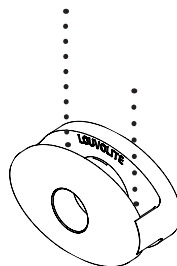


Fig. 19



Both sides of the chain go over and down through the cord tidy (Fig. 18).

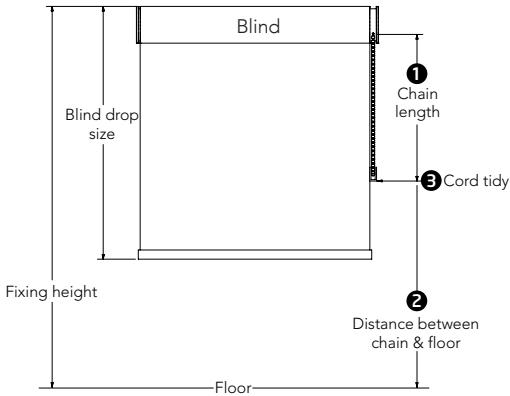
Fix the bottom single cord tidy with 2 screws in line with the top cord tidy with the chain going around this (Fig. 19).

(Fig. 19).

NOTE: It may be necessary to caulk around the frame to eliminate light strike and give an improved finish.

CHILD SAFETY - BS EN 13120 GUIDELINES FOR CORDED BLINDS

Tensioned System with Cord Tidy



- 1 If fixing height is unknown
 - Blind drop \leq 2.5 metres, the chain length must be \leq 1 metre.
 - Blind drop $>$ 2.5 metres, the chain length must be drop of blind minus 1.5 metres.

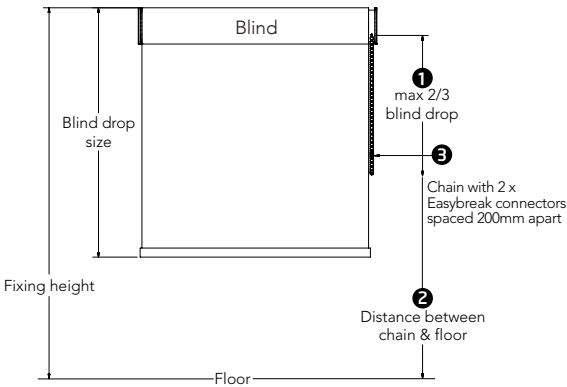
- 2 If fixing height known

All blind drop sizes, distance between floor and bottom of chain must be greater than 1.5 metres.

- 3 Cord tidy

Affix a cord tidy to the wall at the maximum distance possible from the blind control mechanism ensuring all operating cords are taut (chain no more than 50mm apart at entry/exit of cord tidy).

Breakaway Connector System



- 1 If fixing height unknown
 - Blind drop \leq 2.5 metres, the chain length must be max 2/3 blind drop.
 - Blind drop $>$ 2.5 metres, the chain length must be max 2/3 blind drop.

- 2 If fixing height known

All blind drop sizes, distance between floor and bottom of chain must be greater than 0.6 metres.

- 3 Chain must be fitted with 2 x Easybreak® connectors 200mm apart

Will break apart when excessive force is exerted on the chain.

Visit www.louvolite.com to view the links to all of our assembly instructional videos.