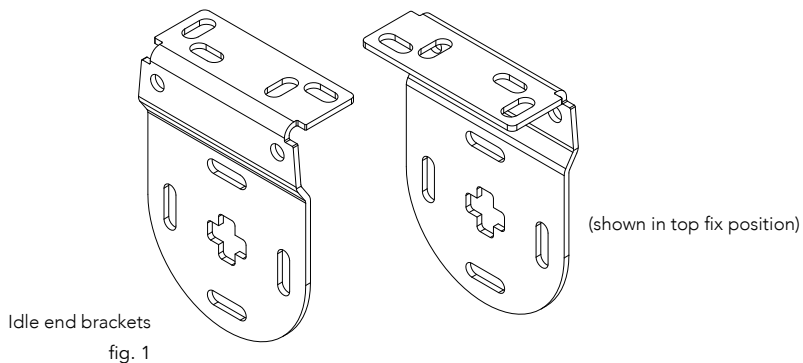


ROLLER SYSTEM 40® ONLY PLANETARY GEARING SYSTEM

Fitting & Operating Instructions

Carefully unwrap the roller blind and its associated brackets.

The brackets are universal and can be fixed in a top, face or side fix position.



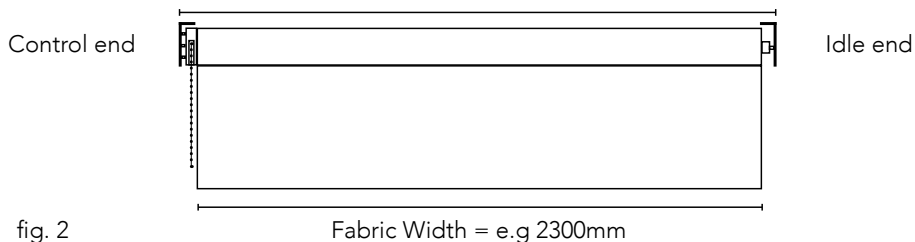
FITTING THE BRACKETS.

To work out the distance required between each bracket you will need to first measure the fabric width, e.g 2300mm.

Add to this an allowance for the control and idle end of 35mm, e.g = 2335mm.

2335mm would be the measurement from the outside of one bracket to the outside of the other bracket. (fig. 2)

Distance between outside edge of the brackets =
e.g 2300mm + 35mm = 2335mm



PLANETARY GEARING SYSTEM

Fitting & Operating Instructions

Use this figure to position the outside of your brackets accordingly whether inside of the recess (fig. 3) or outside of the recess (fig. 4)

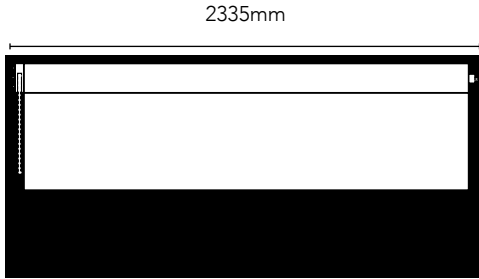


fig. 3 Inside the recess



fig. 4 Outside the recess

Mark the hole positions before drilling and plugging if necessary. Use two screws in each bracket ensuring that the brackets are level. Remember to allow room for the blind to clear any obstacles when deployed, e.g. door or window handles.

Note: Please make sure that when installing your blind that the idle end plunger is depressed by a minimum of 4mm into the bracket. This is essential for smooth roller blind operation.

FITTING THE BLIND.

Once the brackets have been fitted the blind can be inserted into the brackets.

Note – For conventional roller blinds the fabric comes down from the back of the blind and for reverse roll blinds the fabric hangs from the front of the blind.

With the fabric rolled around the tube, offer the idle end (the end with the cross) to the idle end bracket (fig. 4).

With the idle end in place offer the control end to the opposite bracket and secure the blind in place ensuring that the centre lug has dropped into the slot on the bracket (fig. 5).

Back Bar Brackets

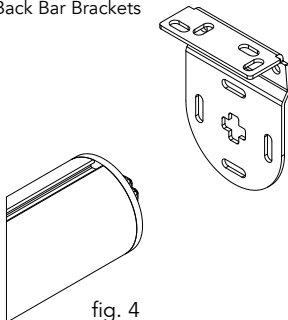


fig. 4

Planetary Gear End

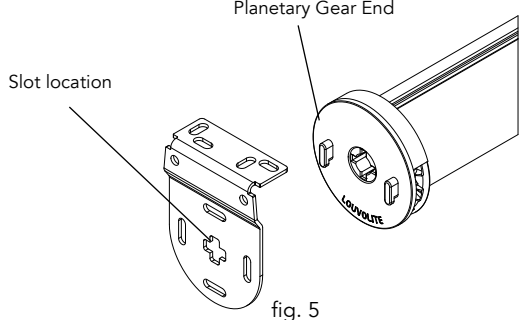


fig. 5

PLANETARY GEARING SYSTEM

Fitting & Operating Instructions

NOTE: LOOP CHAIN ONLY

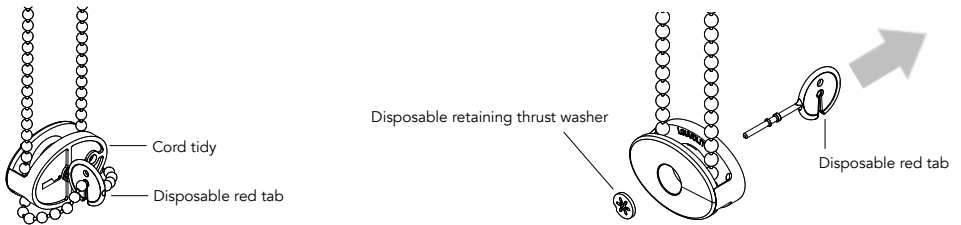
TENSIONED SYSTEM USING CORD TIDY

If the blind is fitted with a continuous loop chain then a cord tidy will be attached to the chain. This must be fitted to the wall as shown.

FITTING A SIDE FIX CORD TIDY

The cord tidy is a two piece device and will arrive with a disposable red tab fitted to it.

Remove the disposable red tab by disengaging it from the chain and then pull out the disposable red tab.

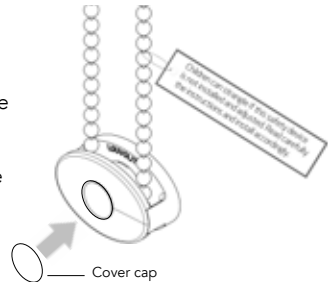


Position the cord tidy to the wall at the furthest distance below the roller tube adding appropriate tension to the chain and mark its location.

Split the cord tidy and mark the remaining offset hole position before drilling and plugging both location holes if necessary.

Screw into the offset hole to fix the back piece of the cord tidy to the wall. Re-assemble the cord tidy with the chain and fix it in previously marked position with a screw through the centre hole.

Push fit a cover cap over the screw hole opening.



PLANETARY GEARING SYSTEM

Fitting & Operating Instructions

FITTING A FACE FIX CORD TIDY

Position the face fix cord tidy to the wall at the furthest distance below the headrail adding appropriate tension to the chain and mark its location.

Mark the remaining hole position before drilling and plugging both location holes if necessary.

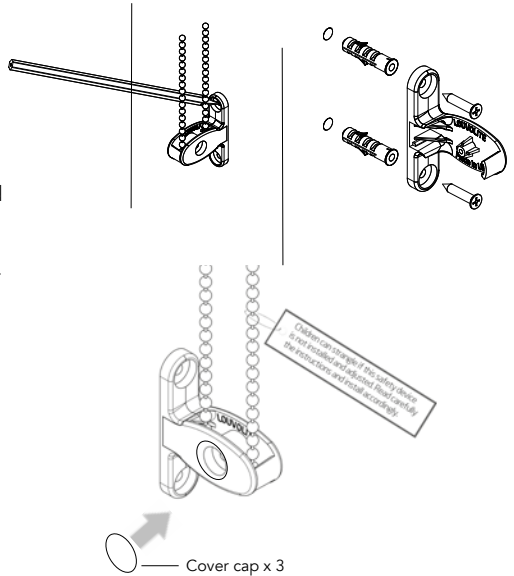
Attach the cord cover plate with the screw provided.

Push fit a cover cap over the screw hole opening.

OPERATING THE BLIND.

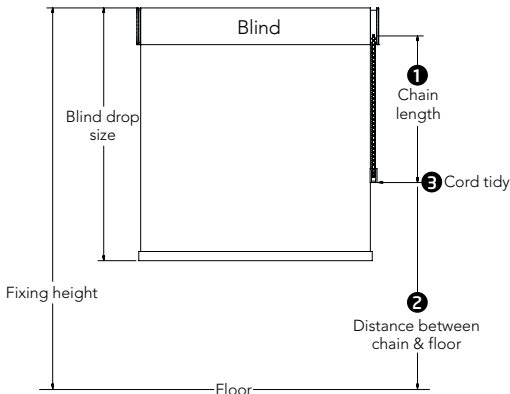
In order to lower the blind, pull the rearmost length of chain downwards with a smooth and steady pressure. To roll the blind up do the same on the front length of chain.

For a reverse roll blind the opposite is true, to lower use the front chain and to raise, use the rear chain.



CHILD SAFETY - BS EN 13120 GUIDELINES FOR CORDED BLINDS

Tensioned System with Cord Tidy



- 1 If fixing height is unknown**
 - Blind drop \leq 2.5 metres, the chain length must be \leq 1 metre.
 - Blind drop $>$ 2.5 metres, the chain length must be drop of blind minus 1.5 metres.
- 2 If fixing height known**

All blind drop sizes, distance between floor and bottom of chain must be greater than 1.5 metres.
- 3 Cord tidy**

Affix a cord tidy to the wall at the maximum distance possible from the blind control mechanism ensuring all operating cords are taut (chain no more than 50mm apart at entry/exit of cord tidy).

Visit www.louvolite.com to view the links to all of our assembly instructional videos.