



Roller Duo Roll Fitting and Operating Instructions

 LOUVOLITE

Roller Duo Roll
Fitting and Operating Instructions

Carefully unwrap the roller blind and its associated brackets.

The end brackets are universal and can be fixed in a top, face or side fix position. The intermediate brackets can be either top or face fix only.

Note – Duo link fitting can only be used on system 40 and 45.

FITTING THE BRACKETS

Secure a control end bracket on the right hand side of the blind. Measure from this bracket to a point the same distance as the width of blind number 1 and mark the position.

Secure an intermediate bracket at this point ensuring the outside face of the intermediate bracket lines up with the marked position.

Now measure and mark the distance from this intermediate bracket to the end bracket on the left hand side of the blind and secure a control end bracket.

FITTING THE BLIND

NOTE: The right hand side blind must be fitted first.

With the fabric rolled around the tube insert the male idle end plug on the right hand blind through the intermediate bracket. With this in place offer the control end to the control end bracket and secure the blind in place ensuring the centre lug has dropped into the bracket.

With the fabric wrapped around the tube on the left hand side blind, insert the female idle end of the left hand side blind into the male idle end plug of the right hand side blind. With this in place offer the control end of the left hand side blind to the control end bracket and secure the blind in place ensuring the centre lug has dropped into the bracket.

Roller Duo Roll
Fitting and Operating Instructions

CHILD SAFETY

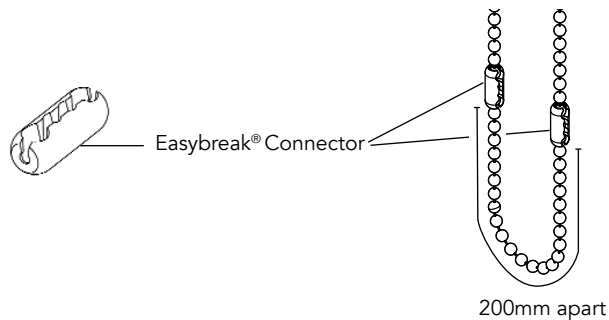
Your blind will be supplied with either Easybreak® connectors attached to the operating chain or a cord tidy that will need to be fitted to the wall.

Easybreak® System

Two Easybreak® connectors are connected to the operating chain 200mm apart. This ensures that at least one of them will be in the vertical position ensuring they perform as required.

If excessive weight is applied within the loop an Easybreak® connector will break apart.

If an Easybreak® connector comes apart then it will need to be re-connected. To re-connect, check the Easybreak® connector for damage. If undamaged, re-connect the chain by inserting the last ball on the end of the chain into the larger hole of the connector and push it into place.



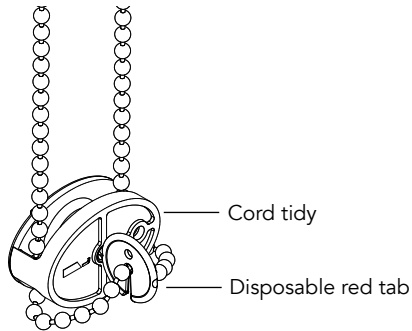
Tensioned System using cord tidy.

If the blind is fitted with a continuous loop chain then a cord tidy will be attached to the chain. This must be fitted to the wall as follows:

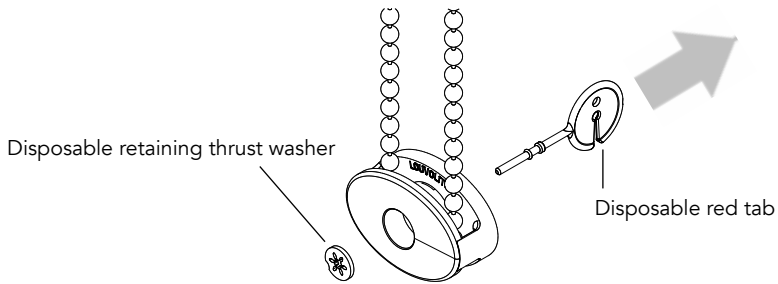
Fitting a side fix cord tidy.

The cord tidy is a two piece device and will arrive with a disposable red tab fitted to it.

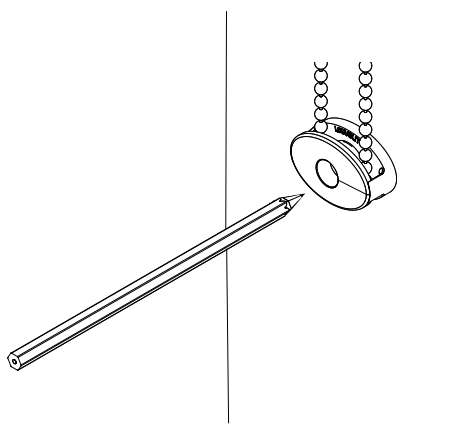
Roller Duo Roll
Fitting and Operating Instructions



Remove the disposable red tab by disengaging it from the chain and then pull out the disposable red tab.

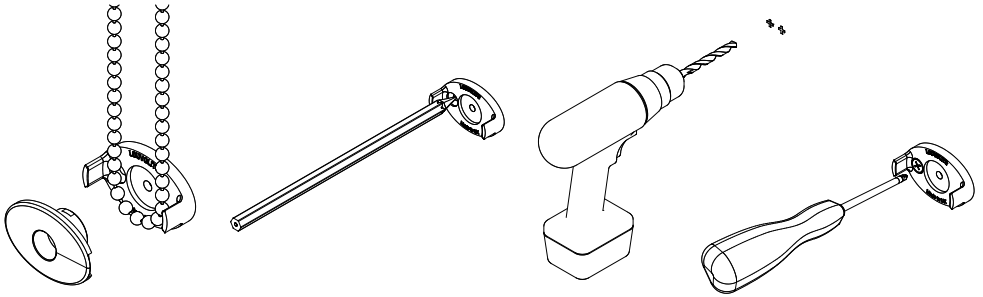


Position the cord tidy to the wall at the furthest distance below the roller tube adding appropriate tension to the chain and mark its location.

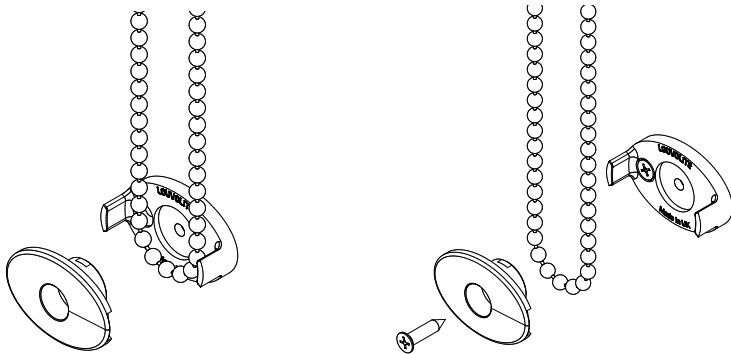


Roller Duo Roll
Fitting and Operating Instructions

Split the cord tidy and mark the remaining offset hole position before drilling and plugging both location holes if necessary. Screw into the offset hole to fix the back piece of the cord tidy to the wall.



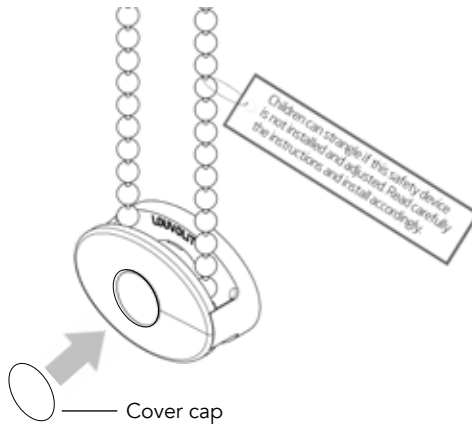
Re-assemble the cord tidy with the chain and fix it in previously marked position with a screw through the centre hole.



Roller Duo Roll

Fitting and Operating Instructions

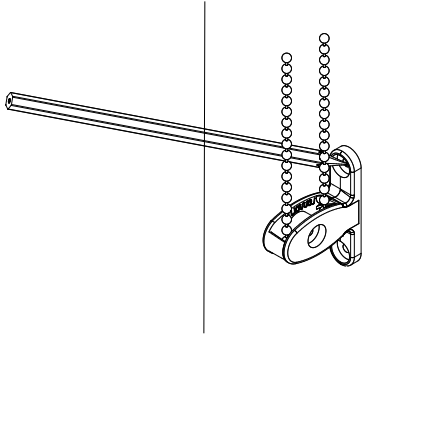
Push fit a cover cap over the screw hole opening.



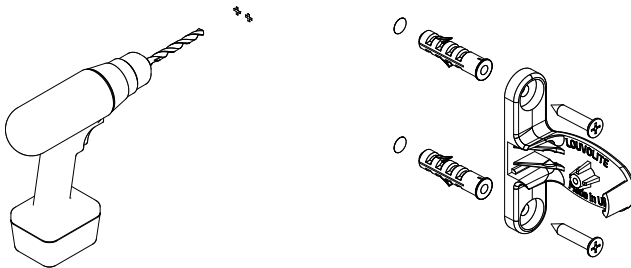
Roller Duo Roll
Fitting and Operating Instructions

Fitting a face fix cord tidy.

Position the face fix cord tidy to the wall at the furthest distance below the headrail adding appropriate tension to the chain and mark its location.

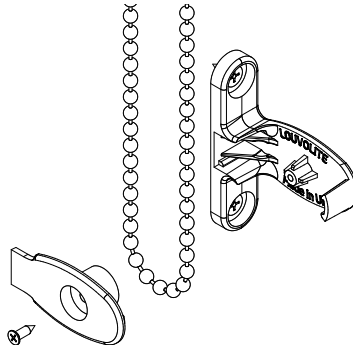


Mark the remaining hole position before drilling and plugging both location holes if necessary.

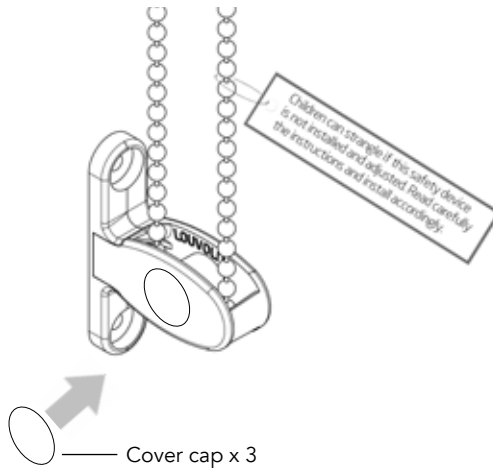


Roller Duo Roll
Fitting and Operating Instructions

Attach the cord cover plate with the screw provided.



Push fit a cover cap over the screw hole opening.



Roller Duo Roll
Fitting and Operating Instructions

OPERATING THE BLIND.

For a conventional roller blind, in order to lower the blind, pull the rearmost length of chain downwards with a smooth and steady pressure. To roll the blind up do the same on the front length of chain.

For a reverse roll blind the opposite is true, to lower use the front chain and to raise, use the rear chain.

NOTE TO INSTALLER:

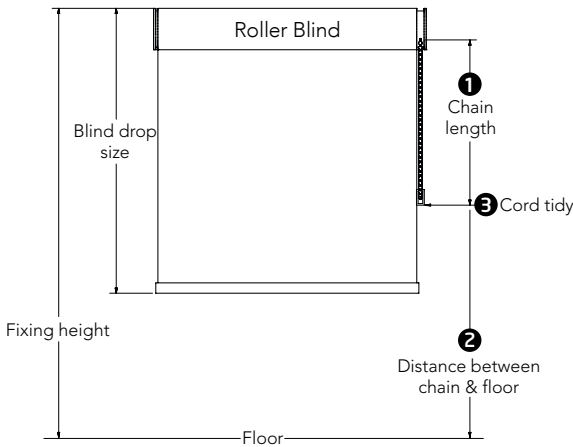
Please ensure a general child safety warning tag is fitted on the product.

Notes

Notes

Child Safety - BS EN 13120 Guidelines for Roller Blinds

Tensioned System with Cord Tidy



1 If fixing height is unknown

- Blind drop \leq 2.5 metres, the chain length must be \leq 1 metre.
- Blind drop $>$ 2.5 metres, the chain length must be drop of blind minus 1.5 metres.

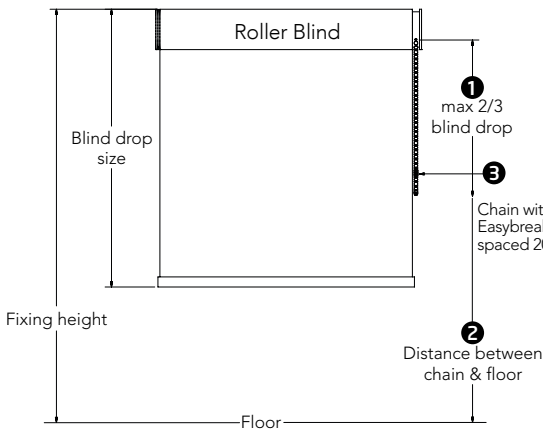
2 If fixing height known

- All blind drop sizes, distance between floor and bottom of chain must be greater than 1.5 metres.

3 Cord tidy

- Affix a cord tidy to the wall at the maximum distance possible from the blind control mechanism ensuring all operating cords are taut (chain no more than 50mm apart at entry/exit of cord tidy).

Breakaway Connector System



1 If fixing height unknown

- Blind drop \leq 2.5 metres, the chain length must be max $2/3$ blind drop.
- Blind drop $>$ 2.5 metres, the chain length must be max $2/3$ blind drop.

2 If fixing height known

- All blind drop sizes, distance between floor and bottom of chain must be greater than 0.6 metres.

3 Chain must be fitted with 2 x Easybreak connectors 200mm apart

- Will break apart when excessive force is exerted on the chain.

NOTE TO INSTALLER: Please ensure general child safety warning tag is fitted on the product.

WARNING

Young children can be strangled by loops in pull cords, chains, tapes and inner cords that operate the product.

To avoid strangulation and entanglement, keep cords out of the reach of young children. Cords may become wrapped around a child's neck. Move beds, cots and furniture away from window covering cords.

Do not tie cords together. Make sure cords do not twist and create a loop.



Also find us on:



You
Tube

Louvolute Customer Services Tel: 0161 882 5050 Email: sales@louvolute.com
Visit the Louvolute website to view the links to all of our assembly instructional videos
www.louvolute.com